

Perma-Fit® Interior Grilles

for Andersen® 400 Series Elliptical Windows



INSTALLER: Please leave this guide with the building owner to file for future reference.

For ease of installation and continued enjoyment of your Andersen® product, please read and follow this Instruction Guide completely. You may direct any questions about this or other products to your local Andersen dealer, found in the Yellow Pages under “Windows”, or call Andersen WindowCare® service center at 1-888-888-7020 Monday through Friday, 7 a.m. to 7 p.m. Central Time and Saturday, 8 a.m. to 4 p.m. Central Time. Assembly and installation of Andersen products is the sole responsibility of the architect, building owner, contractor and/or consumer and Andersen has no responsibility in this regard. Thank you for choosing Andersen.

⚠ WARNING

Use of ladders and/or scaffolding and working at elevated levels may be hazardous. Follow equipment manufacturer's instructions for safe operation. Use extreme caution when working around window and door openings. Falling from opening may result in personal injury or death.

⚠ WARNING

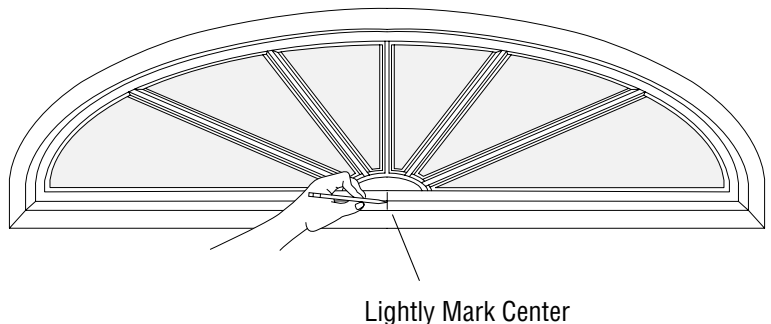
Improper use of hand or power tools could result in personal injury and/or product damage. Follow equipment manufacturer's instructions for safe operation. Always wear safety glasses.

⚠ WARNING

Weight of window and door unit(s) and accessories will vary. Use a reasonable number of people with sufficient strength to lift, carry, and install window and door unit(s) and accessories. Always use appropriate lifting techniques.

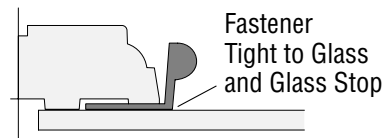
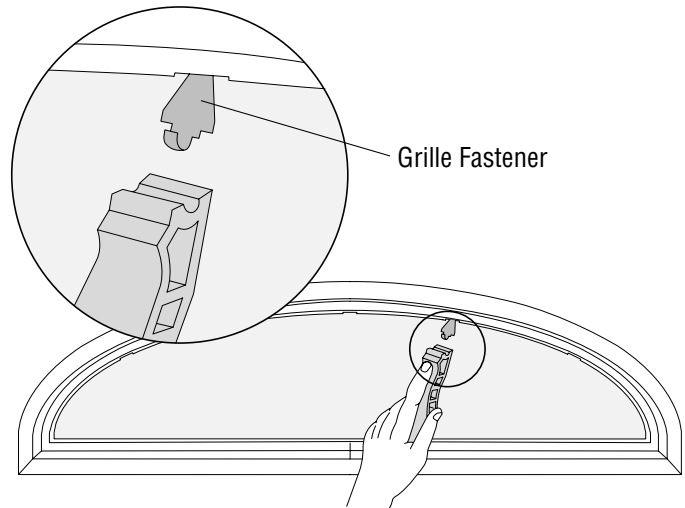
1. Locate Sill Fastener

- Interior arched *Glass Stop* has notched fastener locations. To determine fastener location at sill, hold *Grille* in glass opening and use as a template to lightly mark center of hub. Remove temporary mark on sill *Glass Stop* after installation.

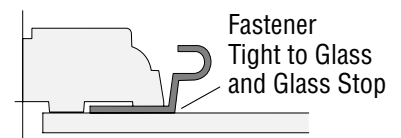


2. Apply Fasteners

- Push *Grille Tip Fastener* point into center of notched area using *Fastener Installation Tool* provided. Keep *Grille Tip Fastener* **tight against glass**.
- Push *Hub Tip Fastener* tip into center of location mark using *Fastener Installation Tool* provided. Keep *Grille Tip Fastener* **tight against glass**.
- Repeat procedure at each notch.



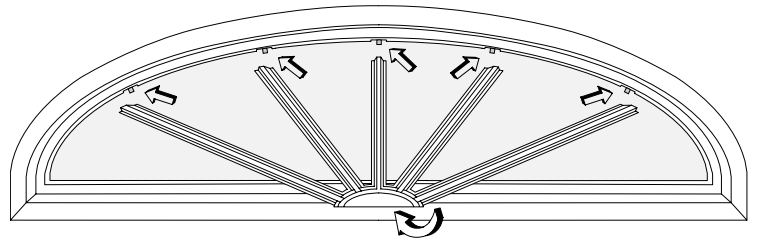
Cross Section Detail -
Hub Fastener



Cross Section Detail -
Grille Tip Fastener

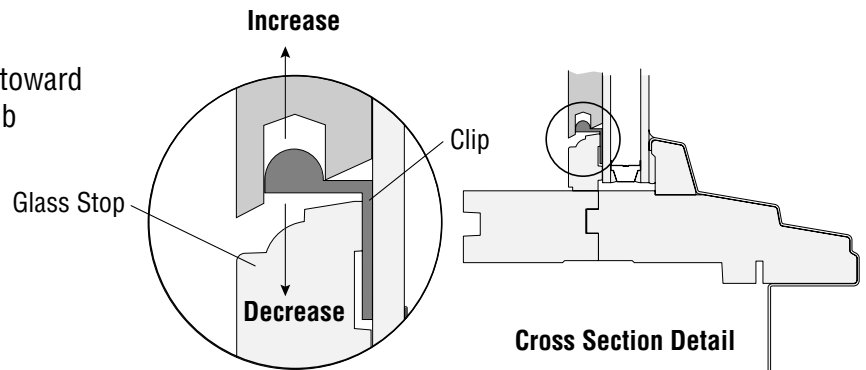
3. Install Grille

- Align *Grille Tips* with *Grille Tip Fasteners*. With upward pressure, push *Grille Tips* onto *Grille Tip Fasteners* and snap grille hub over *Hub fastener*.



4. Adjusting Fasteners

- If *Grille* fit appears loose, tension can be increased by slightly bending hub fastener toward *Grille*. To decrease tension, gently bend hub fastener towards *Glass Stop*.



Grille Removal

- Reverse procedure in **Step 3** for removal of *Grille*.